

EUROPEAN COLLECTION

Oasis



72-1/2-INCH WIDE MODEL

Westbury 2 (Self-Rimming)

Unit Dimensions

72-1/2" wide x 48-1/2" deep x 23-3/4" high (26-1/8" w. neck rest)

Unit Features

- Vacuum Formed Acrylic
- 2" Dia. Front Center Drain (see reverse side for location)
- 2-1/2" Dia. Overflow (see reverse side for location)
- Twin, Contoured Armrests (at each end)
- Contoured Neck Rest (at each end)
- Pre-Levelled Fiberglass Base System
- Textured Floor Pattern

Special Notes

- Whirlpool System Available (see reverse side for details)
- Air System Available (see reverse side for details)
- Combination System Available (see reverse side for details)
- UL Listed Whirlpool & Air Systems

Unit / System Order Number

Acrylic: HG-430 / OND (soaking tub)
HG-430 / 6J (EuroFlo System)
HG-430 / AR3 (EuroAire System)
HG-430 / 6J-AR3 (Combination System)

System Trim

Standard 6J Trim (order code): White trim on White unit (WHT) - Bone trim on Bone unit (BON) - Biscuit trim on Biscuit unit (BST) - Chrome trim (CHR)

Order Number / Description

6J: *EuroFlo System* includes: 6-Adjustable jets, 6-jet Back Jet Array w/ manual control, Aromatherapy diffuser, Chromatherapy light, low water sensor, twin air controls, electronic system control w/ timer, and 11.0 amp pump/motor.

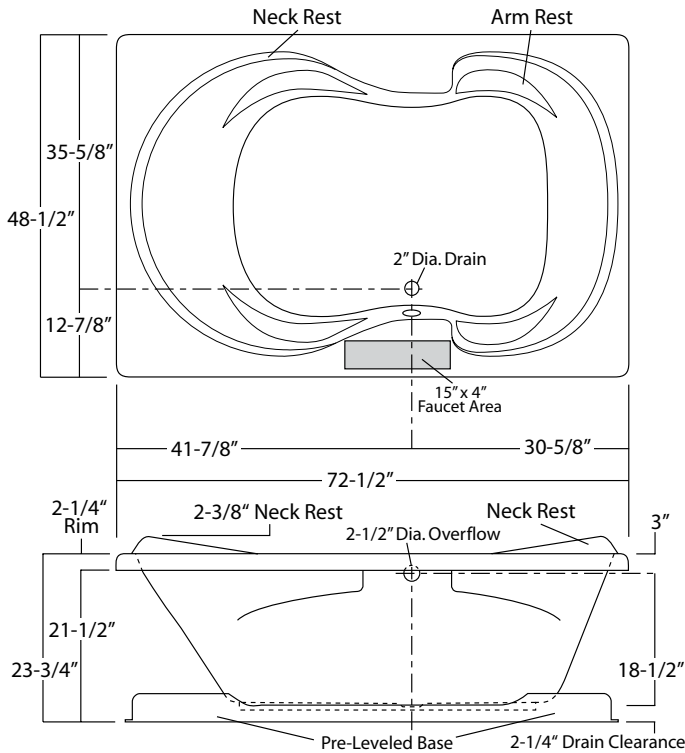
- Options:
- In-Line Heater (1*) (order: ILH)
 - Ozone Generator (1*) (order: OZG)
 - Manual Pillow Neck Jet (1*) (order: PNJ)
(white cover std., black cover on dark units)
 - Electronic Back-Jet (1*, 2*, 4*) (order: BJA-ES)
 - Trim Upgrade (1*)
 - Brushed (satin) Nickel (order: 6J-SNK)
 - Polished Brass (order: 6J-PBR)

Order Number / Description

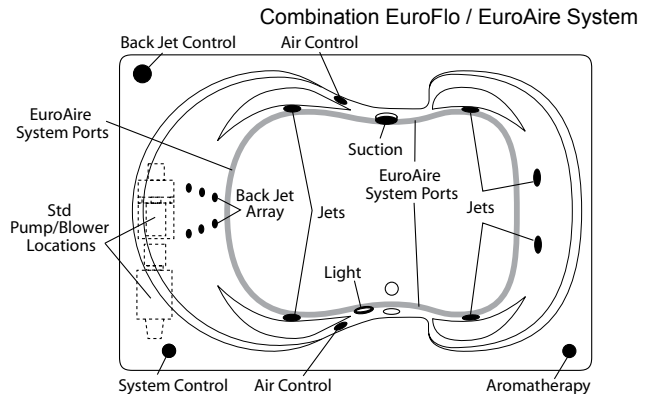
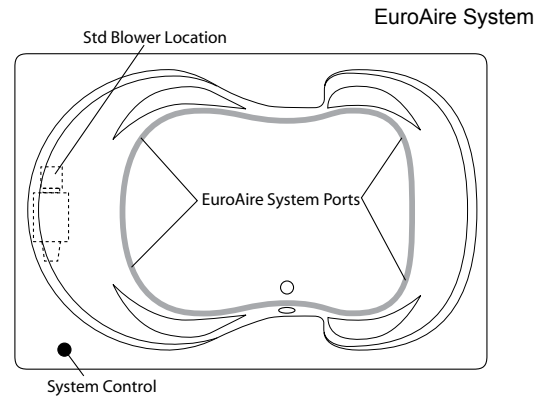
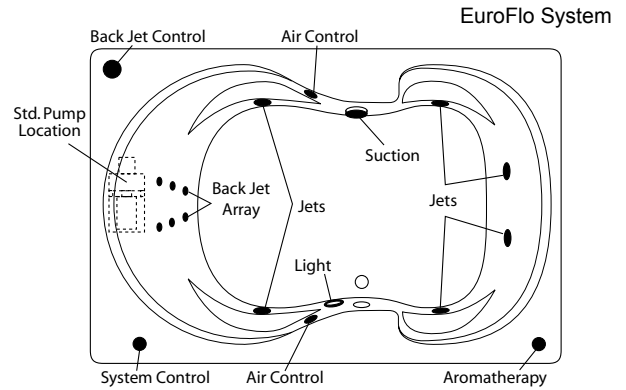
AR3: *EuroAire System* (3*) includes: (44) Perimeter air ports, electronic system control, and 600-watt blower with ceramic heater.

6J-AR3: *EuroFlo & EuroAire System* (3*) on a single unit with an enhanced electronic control.

- Notes:
- (1*) Factory installed options
 - (2*) Includes system control upgrade
 - (3*) Available on acrylic models only
 - (4*) Upgrade from manual back-jet array



Westbury 2: HG-430
Sump Dimen: 55" long x 30-1/2" wide x 20-1/4" deep



Photographic images may include optional components and appear different than actual product. Dimensions shown are maximum. Due to the nature of the materials involved, actual unit dimensions can vary (tolerances: +0 / -3/8 inch). Oasis reserves the right to modify or discontinue product and/or associated equipment without prior written or verbal notification or obligation.