

# BUILDER SERIES



72-INCH WIDE MODELS

## Futura 4272 (Tile Flange)

Rough-In Dimensions	OV-S-320 OV-IF-320	72" wide x 43-1/4" deep x 22" high
---------------------	-----------------------	------------------------------------

Finished Dimensions	OV-S-320 OV-IF-320	72" wide x 42" deep x 20-3/4" high
---------------------	-----------------------	------------------------------------

### Unit Features

- Vacuum Formed Acrylic
- 2" Dia. Front Center Drain (see reverse side for location)
- 2-1/2" Dia. Overflow (see reverse side for location)
- "S" Model: Integral Tile Flange & Full Apron
- "IF" Model: Integral Tile Flange & Partial Apron
- Removable Apron Access Panel Included on "S" Model
- Pre-Leveled Block Base System
- Balsa Wood Core Floor Structure
- Textured Floor Pattern

### Special Notes

- Whirlpool System Available (see reverse side for details)
- Air System Available (see reverse side for details)
- UL Listed Whirlpool & Air Systems
- Model Available In Self-Rimming Design

### Unit / System Order Number

Acrylic: OV-S-320 / 0ND (soaking tub)  
 OV-S-320 / 6P (Builder System)  
 OV-S-320 / CWS (Carress System)  
 OV-S-320 / AR2 (Revive Air System)

### Unit / System Order Number

Acrylic: OV-IF-320 / 0ND (soaking tub)  
 OV-IF-320 / 6P (Builder System)  
 OV-IF-320 / CWS (Carress System)  
 OV-IF-320 / AR2 (Revive Air System)

### System Trim

Standard 6P & CWS Trim (order code): White trim on White unit (WHT) - Bone trim on Bone unit (BON) - Biscuit trim on Biscuit unit (BSC)

### Order Number / Description

CWS: *Carress System* includes: 4-Adjustable side jets, 2-rotating foot jets, 2-micro pulse back jets, variable flow control, twin air controls, electronic system control, 11.0 amp pump/motor, and a removable access panel (S model).

Options: In-Line Heater (1\*) (order: ILH)  
 Ozone Generator (1\*) (order: OZG)  
 Chromotherapy Pkg (1\*, 2\*) (order: CLT)  
 Water Level Sensor (1\*, 2\*) (order: LWV)  
 Trim Upgrade (1\*)  
 Chrome (order: CWS-CHR)  
 Brushed (Satin) Nickel (order: CWS-SNK)  
 Polished Brass (order: CWS-PBR)

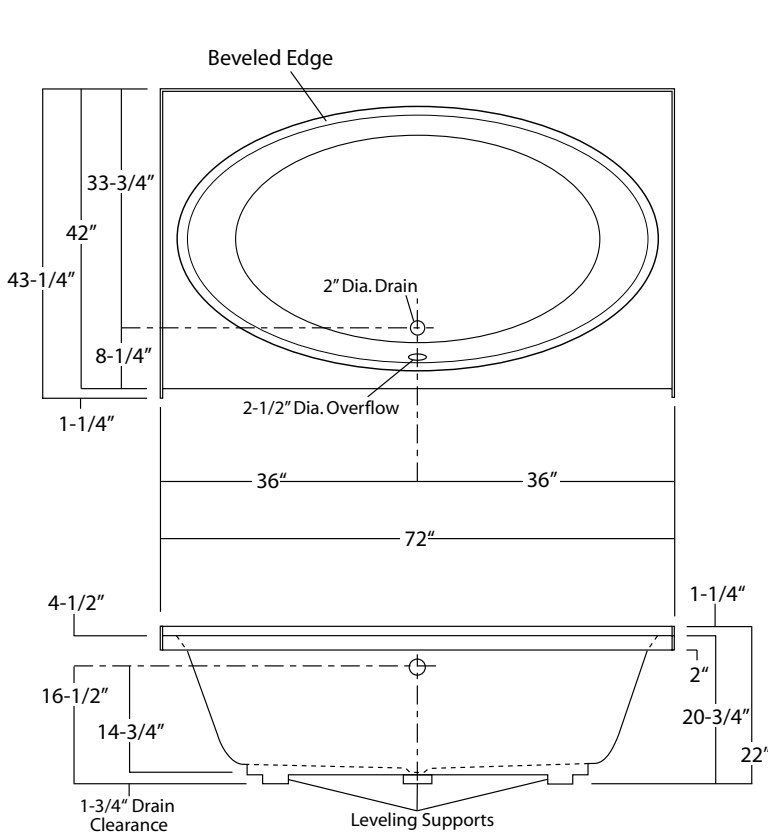
### Order Number / Description

6P: *Builder System* includes: 6-Adjustable jets, twin air controls, pneumatic system control, 5.80 amp pump/motor, and a removable access panel (S model).

Options: In-Line Heater (1\*) (order: ILH)  
 Ozone Generator (1\*) (order: OZG)

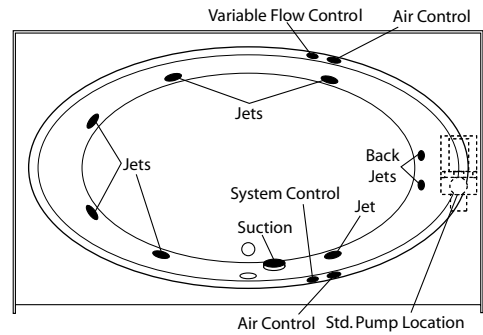
AR2: *Revive Air System* (3\*) includes: (57) Perimeter air ports, electronic system control, 600-watt blower with ceramic heater, and a removable access panel (S model).

Notes: (1\*) Factory installed options  
 (2\*) Includes system control upgrade  
 (3\*) Available on acrylic models only

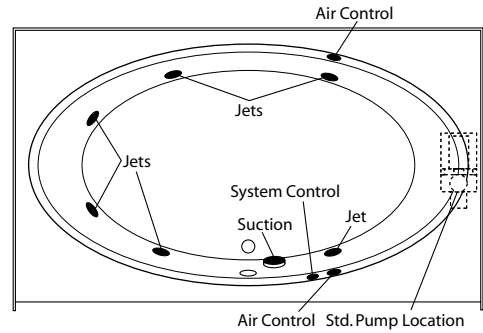


Futura 4272: OV-IF-320L (illustrated)  
 (S model full apron extends down to room floor)  
 Sump Dimen: 56" long x 33" wide x 18-1/4" deep

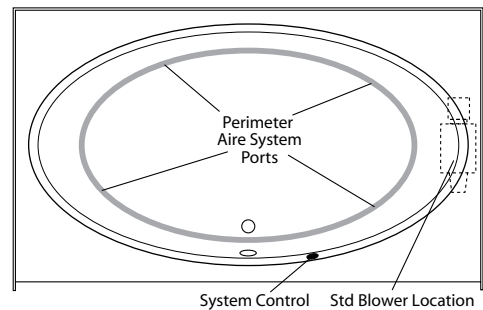
Carress System



Builder System



Revive Aire System



Photographic images may include optional components and appear different than actual product.  
 Dimensions shown are maximum. Due to the nature of the materials involved, actual unit dimensions can vary (tolerances: +0 / -3/8 inch).  
 Oasis reserves the right to modify or discontinue product and/or associated equipment without prior written or verbal notification or obligation.