

# Oasis 42-inch Shower Compartment With ActivLife 2-Bar (2-horizontal) Package

42-inch / Private Access / Bars Only



**Specification** – Oasis one-piece FRP gelcoat shower compartment SH-4234, offered in a standard 4-inch or 6-inch (ABF) dam configuration. ActivLife package includes a horizontal bar across the back wall and across the control wall.

**Standards Certification:**

The shower compartment listed is manufactured in compliance with ANSI Z124 Standards, and certified through an ongoing, independent quality assurance and testing program.

The factory-applied grab bar package is certified through an independent review program.



**SH-4234 / BP1-R**  
(2-bar package)  
Model & Package Illustrated

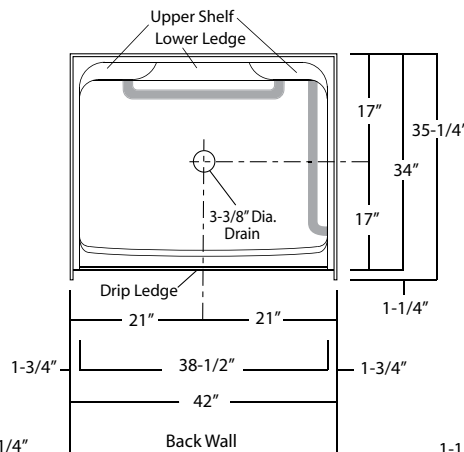
**NOTE:** Positioning of factory attached grab bars allow for installation of a shower enclosure.



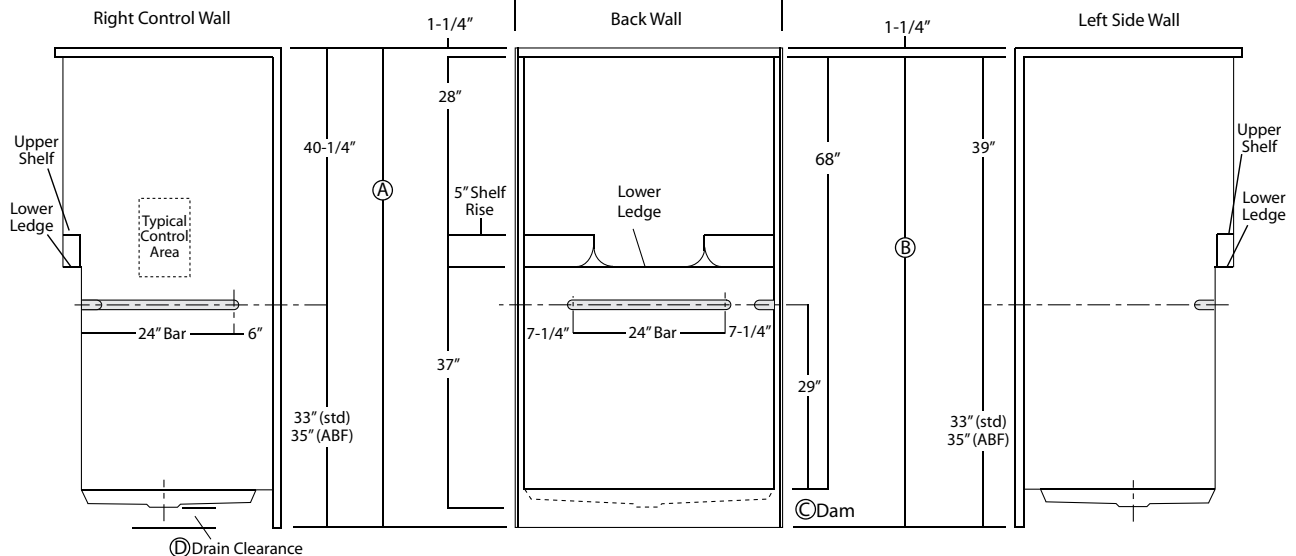
**Home Innovation**  
LAB CERTIFIED™



	Std Unit	ABF Unit
A	73-1/4"	75-1/4"
B	72"	74"
C	4"	6"
D	1"	3"
E	-	-
F	-	-



Enclosure Size:  
38-1/2" w (max) x 68" h (max)



Dimensions shown are maximum. Due to the nature of the materials involved, actual unit dimensions can vary (tolerances: + / - 1/8 inch). Oasis reserves the right to modify or discontinue product and/or associated equipment without prior written or verbal notification or obligation.

Model ID	Package Code	Description (define configuration referencing control side)
SH-4234 (Std or ABF)	/ BP1-R (right wall)	42" x 34", center drain shower with 4" (std) or 6" (ABF) dam, and ActivLife 1.50" dia. stainless steel 2-bar package (single horizontal back wall bar, single horizontal bar on control wall).
SH-4234 (Std or ABF)	/ BP1-L (left wall)	

**Powder Coated Bar Packages (1.25-inch dia.)**

SH-4234 (Std or ABF)	/ BP1-R WHT (right wall)	42" x 34", center drain shower with 4" (std) or 6" (ABF) dam, and ActivLife 1.25" dia. white powder coated 2-bar package (single horizontal back wall bar, single horizontal bar on control wall).
SH-4234 (Std or ABF)	/ BP1-L WHT (left wall)	

**Package Notes:**

1. Model available without listed package.
2. For bar and seat packages, see ActivLife "TL-RS/LS" and "TLV-RS/LS" package codes.
3. For 3-bar package with a vertical bar on control wall, see ActivLife "BP2" package code.
4. For single horizontal bar package, see ActivLife "BP5" package code.
5. For REINFORCEMENT ONLY for bars (HUD/FHA-Fair Housing), see ActivLife "FH" and "FHV" package codes.
6. For expanded reinforcement package options, (with or without listed package components), see ActivLife "3SM" and "3SF" package codes.

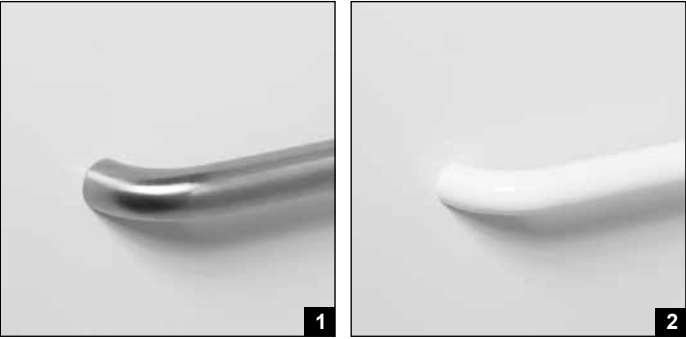
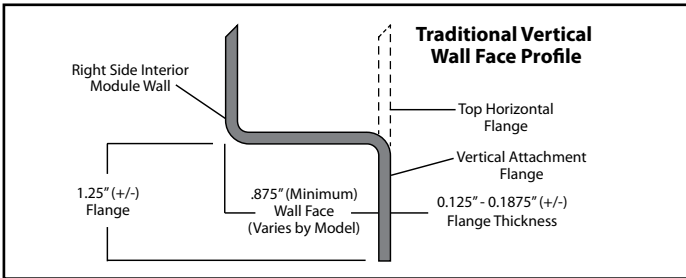


Photo 1: Grab Bars: Factory-installed 1.50-inch diameter, concealed attachment, 18 gauge, #304 brushed stainless steel grab bars. Concealed attachment design provides tamper-resistance and minimizes debris collection areas at contact points, compared to common exposed flange bar designs, without compromising bar attachment integrity. (Reinforced areas include a structural core material encapsulated in FRP composite.)

Photo 2: Grab Bars: Factory-installed 1.25-inch dia. powder coated (in finishes listed above), concealed attachment, 18 gauge, #304 stainless steel grab bars. Concealed attachment design provides tamper-resistance and minimizes debris collection areas at contact points, compared to common exposed flange bar designs, without compromising bar attachment integrity. (Reinforced areas include a structural core material encapsulated in FRP composite.)