

Oasis 42-inch Shower Compartment With ActivLife Single-Bar (1-horizontal) Package

42-inch / Private Access / Bars Only



Specification – Oasis one-piece FRP gelcoat shower compartment SH-4234, offered in a standard 4-inch or 6-inch (ABF) dam configuration. ActivLife package includes a single horizontal bar on the back wall.

Standards Certification:

The shower compartment listed is manufactured in compliance with ANSI Z124 Standards, and certified through an ongoing, independent quality assurance and testing program.

The factory-applied grab bar package is certified through an independent review program.



SH-4234 / BP5
(single-bar package)
Model & Package Illustrated

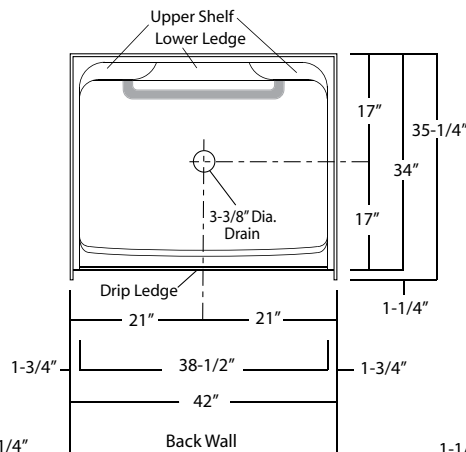
NOTE: Positioning of factory attached grab bars allow for the installation of a shower enclosure.



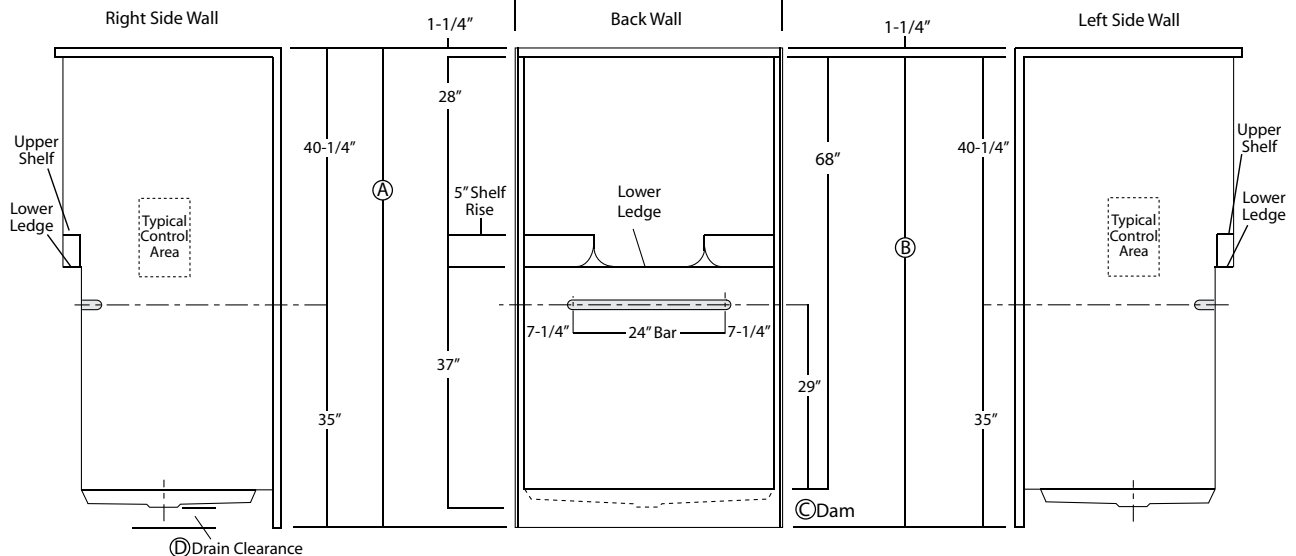
Home Innovation
LAB CERTIFIED™



	Std Unit	ABF Unit
A	73-1/4"	75-1/4"
B	72"	74"
C	4"	6"
D	1"	3"
E	-	-
F	-	-



Enclosure Size:
38-1/2"w (max) x 68"h (max)



Dimensions shown are maximum. Due to the nature of the materials involved, actual unit dimensions can vary (tolerances: + / -1/8 inch). Oasis reserves the right to modify or discontinue product and/or associated equipment without prior written or verbal notification or obligation.

Model ID	Package Code	Description
SH-4234 (Std or ABF)	/ BP5	42" x 34", center drain shower with 4" (std) or 6" (ABF) dam, and ActivLife 1.50" dia. stainless steel single bar package (single horizontal back wall bar).

Powder Coated Bar Packages (1.25-inch dia.)

SH-4234 (Std or ABF)	/ BP5 WHT	42" x 34", center drain shower with 4" (std) or 6" (ABF) dam, and ActivLife 1.25" dia. white powder coated single bar package (single horizontal back wall bar).
----------------------	-----------	--

Package Notes:

1. Model available without listed package.
2. For bar and seat packages, see ActivLife "TL-RS/LS" and "TLV-RS/LS" package codes.
3. For 3-bar package with a vertical bar on control wall, see ActivLife "BP2" package code.
4. For 2-bar package without a vertical bar on control wall, see ActivLife "BP1" package code.
5. For REINFORCEMENT ONLY for bars (HUD/FHA-Fair Housing), see ActivLife "FH" and "FHV" package codes.
6. For expanded reinforcement package options, (with or without listed package components), see ActivLife "3SM" and "3SF" package codes.

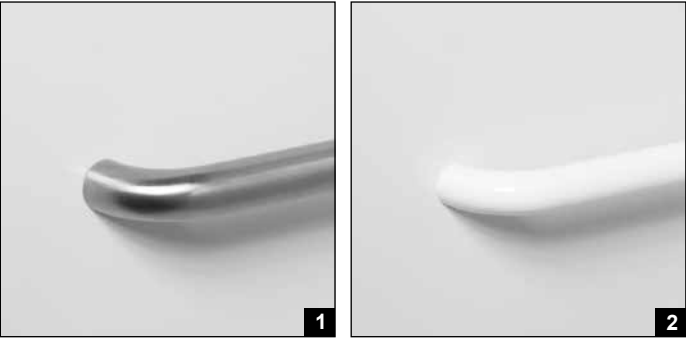
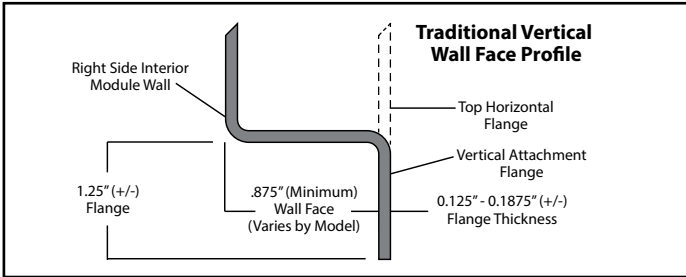


Photo 1: Grab Bars: Factory-installed 1.50-inch diameter, concealed attachment, 18 gauge, #304 brushed stainless steel grab bars. Concealed attachment design provides tamper-resistance and minimizes debris collection areas at contact points, compared to common exposed flange bar designs, without compromising bar attachment integrity. (Reinforced areas include a structural core material encapsulated in FRP composite.)

Photo 2: Grab Bars: Factory-installed 1.25-inch dia. powder coated (in finishes listed above), concealed attachment, 18 gauge, #304 stainless steel grab bars. Concealed attachment design provides tamper-resistance and minimizes debris collection areas at contact points, compared to common exposed flange bar designs, without compromising bar attachment integrity. (Reinforced areas include a structural core material encapsulated in FRP composite.)