

# Oasis 48-inch Shower Compartment With Integral Molded Seat and ActivLife 3-Bar (2-horizontal / 1-vertical) Package



**Specification** – Oasis one-piece FRP gelcoat shower compartment SH-4834 RS or LS, having a single contoured seat and offered in a standard 4-inch or 6-inch (ABF) dam configuration. ActivLife package includes a horizontal bar across the back wall, a bar across the control wall, and a vertical bar at the entry on the control wall.

**Standards Certification:**

The shower compartment listed is manufactured in compliance with ANSI Z124 Standards, and certified through an ongoing, independent quality assurance and testing program.

The factory-applied grab bar package is certified through an independent review program.

48-inch / Private Access / Bars & Seat



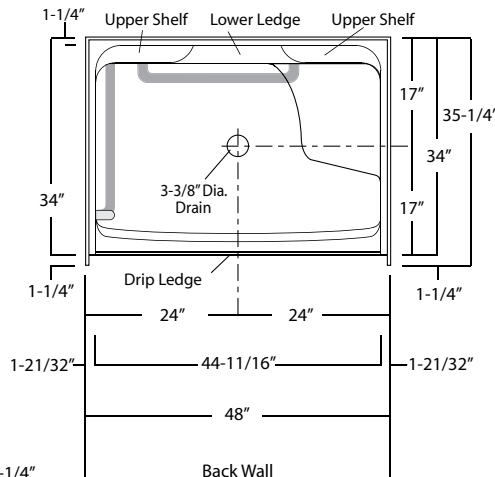
**SH-4834 RS / BP2**  
(RH seat / 3-bar package)  
Model & Package Illustrated

	Std Unit	ABF Unit
A	75-3/4"	77-3/4"
B	74-1/2"	76-1/2"
C	4"	6"
D	1"	3"
E	-	-
F	-	-

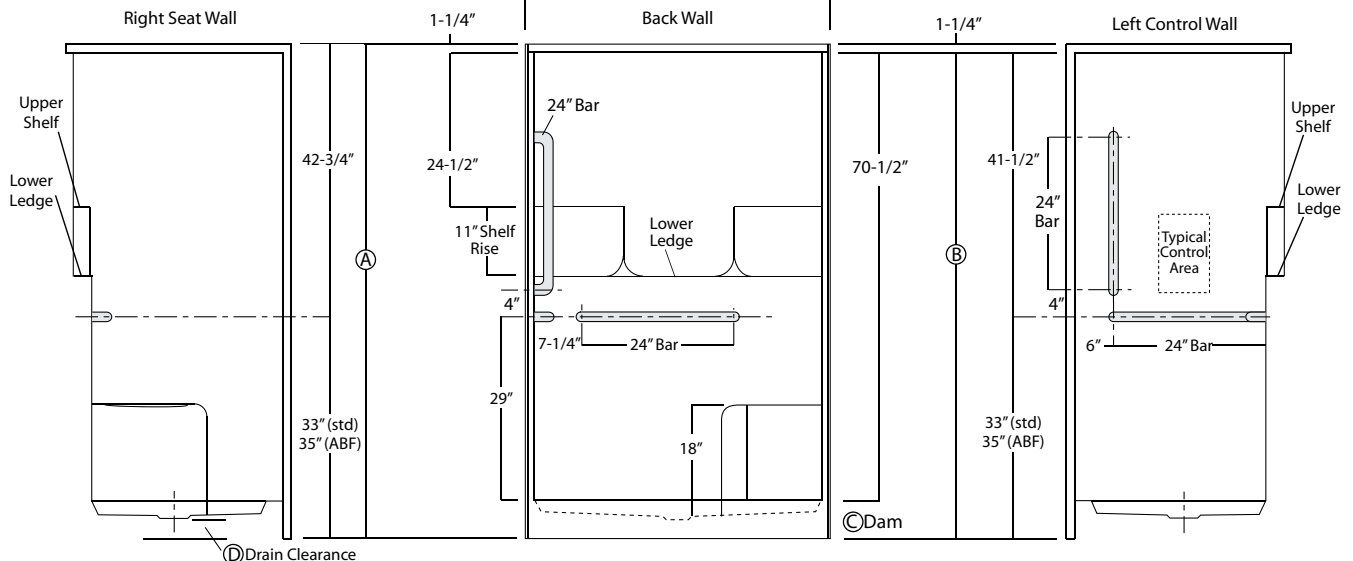
**NOTE:** Positioning of factory attached grab bars allow for the installation of a shower enclosure.



**Home Innovation**  
LAB CERTIFIED™



**Enclosure Size:**  
44-11/16"w (max) x 70-1/2"h (max)



Dimensions shown are maximum. Due to the nature of the materials involved, actual unit dimensions can vary (tolerances: + / - 1/8 inch). Oasis reserves the right to modify or discontinue product and/or associated equipment without prior written or verbal notification or obligation.

Model ID	Package Code	Description (define configuration referencing seat side)
----------	--------------	--

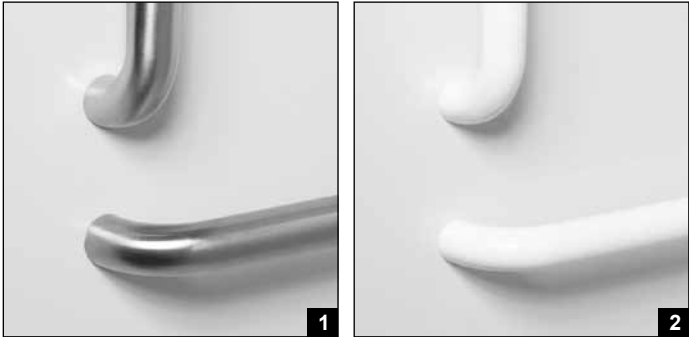
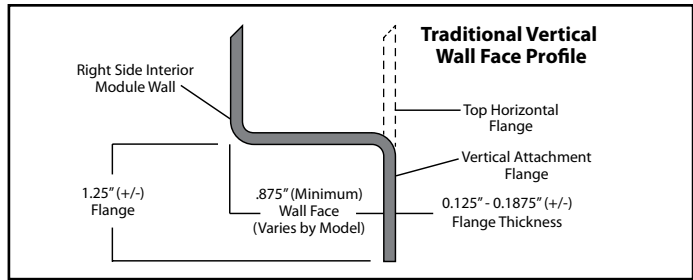
SH-4834 RS (right seat)(Std or ABF) / BP2		48" x 34", center drain shower with single contoured seat, 4" (std) or 6" (ABF) dam, and ActivLife 1.50" dia. stainless steel 3-bar package (single horizontal bar on back wall and control wall, single vertical bar on control wall).
SH-4834 LS (left seat)(Std or ABF) / BP2		

**Powder Coated Bar Packages (1.25-inch dia.)**

SH-4834 RS (right seat)(Std or ABF) / BP2 WHT		48" x 34", center drain shower with single contoured seat, 4" (std) or 6" (ABF) dam, and ActivLife 1.25" dia. white powder coated 3-bar package (single horizontal bar on back wall and control wall, single vertical bar on control wall).
SH-4834 LS (left seat)(Std or ABF) / BP2 WHT		

**Package Notes:**

1. Model available without listed package.
2. For 2-bar package, removing the vertical bar on control wall, see ActivLife "BP1" package code.
3. For REINFORCEMENT ONLY for horizontal bars (HUD/FHA-Fair Housing), see ActivLife "FH" package code.
4. For expanded reinforcement package options, (with or without listed package components), see ActivLife "3SM" and "3SF" package codes.



- Photo 1: Grab Bars: Factory-installed 1.50-inch diameter, concealed attachment, 18 gauge, #304 brushed stainless steel grab bars. Concealed attachment design provides tamper-resistance and minimizes debris collection areas at contact points, compared to common exposed flange bar designs, without compromising bar attachment integrity. (Reinforced areas include a structural core material encapsulated in FRP composite.)
- Photo 2: Grab Bars: Factory-installed 1.25-inch dia. powder coated (in finishes listed above), concealed attachment, 18 gauge, #304 stainless steel grab bars. Concealed attachment design provides tamper-resistance and minimizes debris collection areas at contact points, compared to common exposed flange bar designs, without compromising bar attachment integrity. (Reinforced areas include a structural core material encapsulated in FRP composite.)