

Oasis 48-inch Shower Compartment With Integral Molded Seat and ActivLife (HUD/FHA Fair Housing Act Design Manual) Reinforcement Package

48-inch / Private Access / Reinforced Only



Specification – Oasis one-piece FRP gelcoat shower compartment SH-4834 RS or LS, having a single contoured seat and offered in a standard 4-inch or 6-inch (ABF) dam configuration. ActivLife package includes a factory-applied reinforcement only package, in compliance with HUD/FHA Fair Housing Act Design Manual, shall include back wall and control wall reinforcement, for horizontal bar application.

Standards Certification:

The shower compartment listed is manufactured in compliance with ANSI Z124 Standards, and certified through an ongoing, independent quality assurance and testing program.

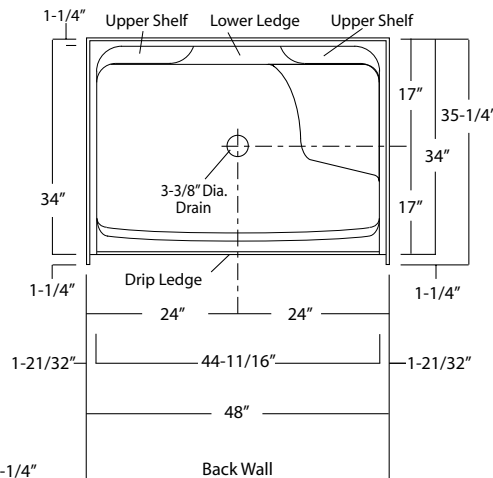


SH-4834 RS / FH
(RH seat / Fair Housing reinforced)
Model & Package Illustrated

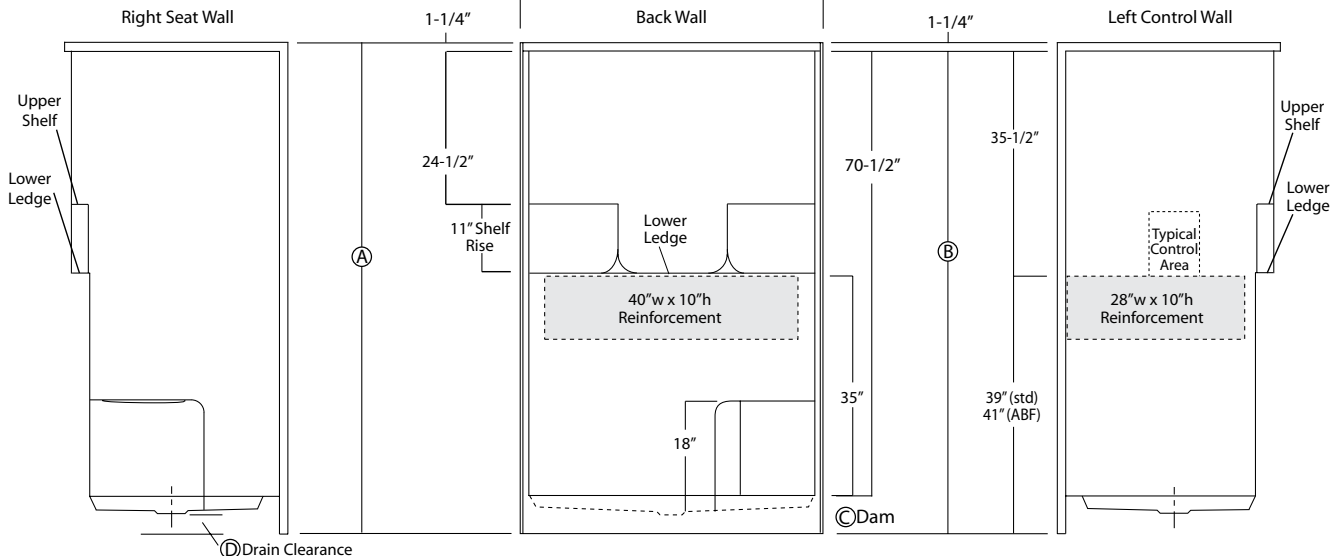
	Std Unit	ABF Unit
A	75-3/4"	77-3/4"
B	74-1/2"	76-1/2"
C	4"	6"
D	1"	3"
E	-	-
F	-	-



Home Innovation
LAB CERTIFIED™



Enclosure Size:
44-11/16" w (max) x 70-1/2" h (max)



Dimensions shown are maximum. Due to the nature of the materials involved, actual unit dimensions can vary (tolerances: + / - 1/8 inch). Oasis reserves the right to modify or discontinue product and/or associated equipment without prior written or verbal notification or obligation.

Model ID	Package Code	Description (define configuration referencing seat side)
----------	--------------	--

SH-4834 RS (right seat)(Std or ABF) / FH		48" x 34", center drain shower with single contoured seat, 4" (std) or 6" (ABF) dam, and ActivLife control and back wall reinforcement for horizontal bar application.
SH-4834 LS (left seat)(Std or ABF) / FH		

Package Notes:

1. Model available without listed package.
2. Model available with enhanced reinforcement (with or without package components), see ActivLife "3SM" and "3SF" package codes.
3. Model available with 2-bar or 3-bar packages, see ActivLife "BP1" and "BP2" package codes.

